

Standalone Linear Li-Ion Battery Charger with Thermal Regulation

■ General Description

The LN2054 is a complete constant-current /constant-voltage linear charger for single cell lithium-ion batteries. Its ThinSOT package and low external component count make the LN2054 ideally suited for portable applications. Furthermore, the LN2054 is specifically designed to work within USB power specifications.

No external sense resistor is needed, and no blocking diode is required due to the internal MOSFET architecture. Thermal feedback regulates the charge current to limit the die temperature during high power operation or high ambient temperature. The charge voltage is fixed at 4.2V, and the charge current can be programmed externally with a single resistor. The LN2054 automatically terminates the charge cycle when the charge current drops to 1/10th the programmed value after the final float voltage is reached. When the input supply (wall adapter or USB supply) is removed, the LN2054 automatically enters a low current state, dropping the battery drain current to less than 2µA. The LN2054 can be put into shutdown mode, reducing the supply current to 2µA.

Other features include charge current monitor, under-voltage lockout, automatic recharge and a status pin to indicate charge termination and the presence of an input voltage.

■ Features

- Programmable Charge Current Up to 500mA
- No MOSFET, Sense Resistor or Blocking Diode Required
- Complete Linear Charger in ThinSOT Package for single Cell Lithium-Ion Batteries
- Constant-Current/Constant-Voltage Operation with Thermal Regulation to Maximize Charge Rate Without Risk of Overheating
- Charges Single Cell Li-Ion Batteries Directly from USB Port
- Preset 4.2V Charge Voltage with 1% Accuracy
- Charge Current Monitor Output for Gas Gauging
- Automatic Recharge
- Charge Status Output Pin
- C/10 Charge Termination
- 2µA Supply Current in Shutdown
- 2.9V Trickle Charge Threshold (LN2054)
- Soft-Start Limits Inrush Current
- Available in 5-Lead SOT23 and SOT89 Package

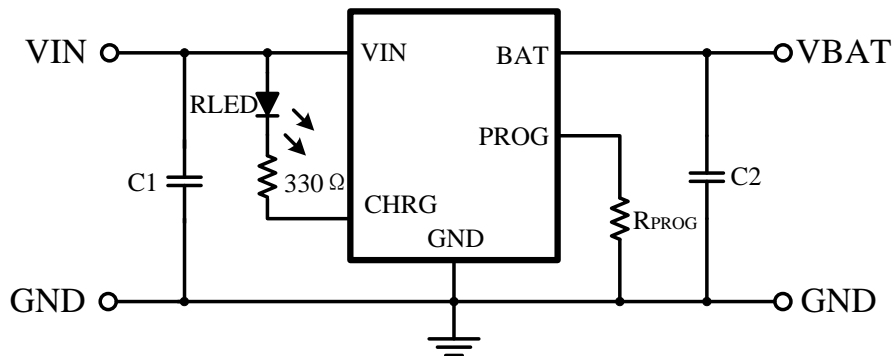
■ Applications

- Cellular Telephones, PDAs, MP3 Players
- Charging Docks and Cradles
- Bluetooth Applications

■ Package

- SOT23-5L
- SOT89-5L

■ Typical Application Circuit



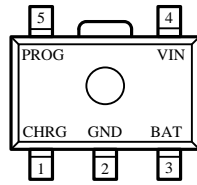
NOTE: C1=4.7µF, C2=10µF. IBAT = (V_{PROG}/R_{PROG})*1000

Ordering Information

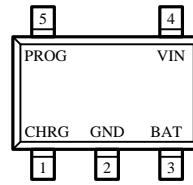
LN2054 ①②③④⑤⑥⑦

Designator	Description	Symbol	Description
①	Type	X	CHRG pin Without trickle charge
		Y	CHRG pin With trickle charge
②③	The first part of regulator Output Voltage	0	4.0
		1	4.1
		2	4.2
④	The second part of regulator Output Voltage	A	00
		B	25
		C	50
		D	75
⑤	Packaging Types	M	SOT23-5L
		P	SOT89-5L
⑥	Device Orientation	R	Embossed tape: Standard feed
		L	Embossed tape: Reverse feed
⑦	Packing Material Type	G	Green epoxy molding compound

Pin Configuration



SOT89-5L
(TOP VIEW)



SOT23-5L
(TOP VIEW)

Pin Assignment

Pin Number		Pin Name
SOT89-5L	SOT23-5L	
1	1	CHRG
2	2	GND
3	3	BAT
4	4	VIN
5	5	PROG

Pin Function

CHRG (Pin 1): Open-Drain Charge Status Output. When the battery is charging, the CHRG pin is pulled low by an internal N-channel MOSFET. When the LN2054 detects an under voltage lockout condition, CHRG is forced high impedance.

GND (Pin 2): Ground.

BAT (Pin 3): Charge Current Output. Provides charge current to the battery and regulates the final float voltage to 4.2V. An internal precision resistor divider from this pin sets the float voltage which is disconnected in shutdown mode.

VIN (Pin 4): Positive Input Supply Voltage. Provides power to the charger. VIN can range from 4.25V to 6.5V and should be bypassed with at least a 1μF capacitor. When VIN drops to within 30mV of the BAT pin voltage, the LN2054 enters shutdown mode, dropping IBAT to less than 2μA.

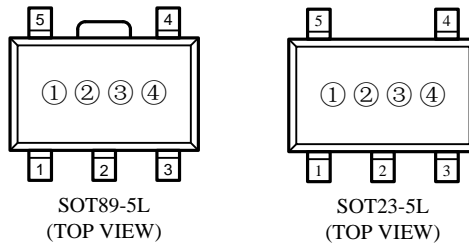
PROG (Pin 5): Charge Current Program, Charge Current Monitor and Shutdown Pin. The charge current is programmed by connecting a 1% resistor, R_{PROG}, to ground. When charging in constant-current mode, this pin serves to 1V. In all modes, the voltage on this pin can be used to measure the charge current using the following formula:

$$IBAT = (V_{PROG}/R_{PROG}) * 1000$$

The PROG pin can also be used to shut down the charger. Disconnecting the program resistor from ground allows a 3μA current to pull the PROG pin high. When it reaches the 1.21V shutdown threshold voltage, the charger enters shutdown mode, charging stops and the input supply current drops to 2μA. This pin is also floated to approximately 2.4V. Driving this pin to voltages beyond the floating voltage will draw currents as high as 1.5mA. Reconnecting PROG to ground will return the charger to normal operation.

■ Marking Rule

- SOT89-5L, SOT23-5L



- ① Represents the product name

Symbol	Product Name
2	LN2054◆◆◆◆◆

- ② Represents the type of the trickle charge voltage and CHRГ pin

Symbol	Product Series
X	LN2054X◆◆◆◆◆
Y	LN2054Y◆◆◆◆◆

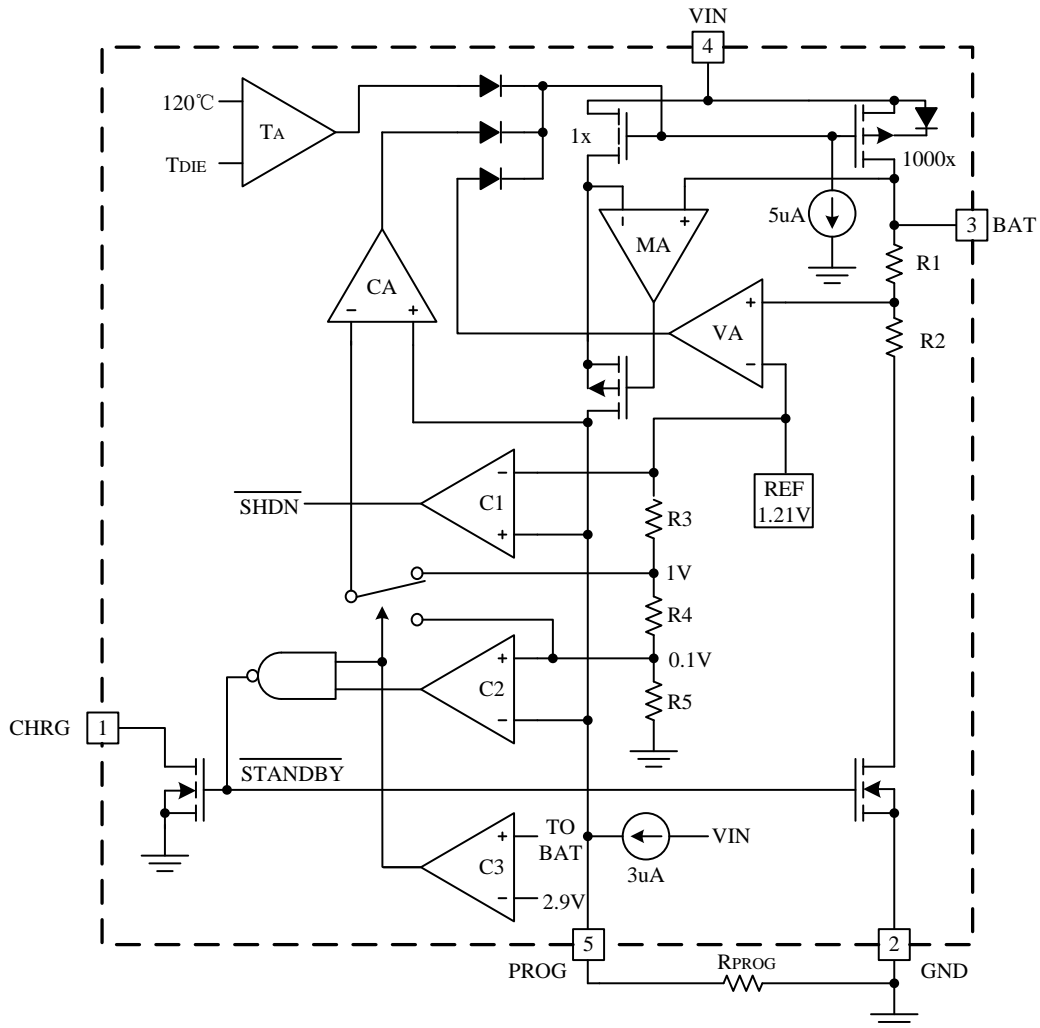
- ③ ③ Represents the regulator output voltage

Symbol	Voltage
A	4.0
B	4.025
C	4.05
D	4.075
E	4.1
F	4.125

Symbol	Voltage
H	4.150
K	4.175
L	4.2
M	4.225
N	4.250
P	4.275

- ④ ④ Represents the quality traceability code.

0-9, A-Z; 0-9, A-Z mirror writing, repeated (G, I, J, O, Q, W exception)

■ Block Diagram

■ Absolute Maximum Ratings

Parameter	Symbol	Maximum Rating	Unit	
Input Supply Voltage	V_{cc}	-0.3~+7	V	
PROG pin Voltage	V_{prog}	-0.3~ $V_{cc}+0.3$		
BAT pin Voltage	V_{bat}	-0.3~7		
CHAG pin Voltage	V_{chrg}	-0.3~+7		
Power Dissipation	P_D	SOT23-5L	250	mW
		SOT89-5L	500	
BAT pin Current	I_{bat}	500	mA	
PROG pin Current	I_{prog}	800	uA	
Operating Ambient Temperature	T_{opa}	-40~+85	°C	
Storage Temperature	T_{str}	-65~+125		

Caution: The absolute maximum ratings are rated values exceeding which the product could suffer physical damage. These values must therefore not be exceeded under any conditions.

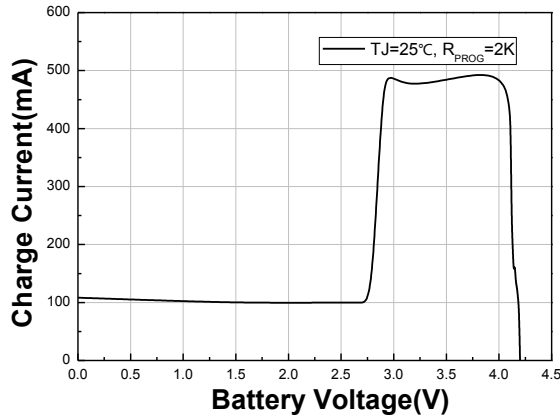
■ Electrical Characteristics

(TA=25°C unless otherwise noted)

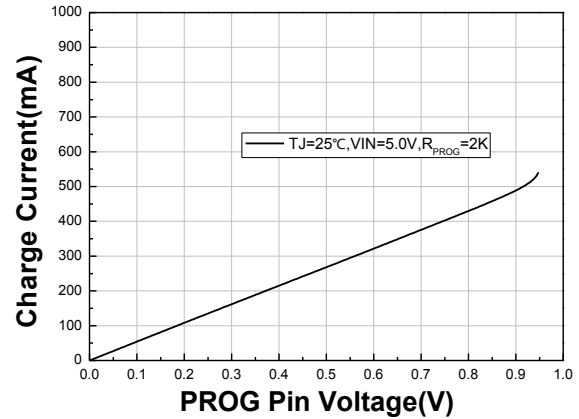
Parameter	Symbol	Condition	Min	Typ	Max	Unit
Input supply voltage	Vcc	-	4.25	-	6.5	V
Input supply current	Icc	Charge mode, Rprog=10K	-	300	2000	μA
		Standby mode	-	200	500	μA
		Shutdown mode(Rprog not connected, Vcc<Vbat or Vcc<Vuv)	-	-	40	μA
Regulated Output Voltage	Vfloat	0°C<TA<85°C, IBAT = 40mA	4.16	4.2	4.25	V
BAT pin Current	Ibat	Rprog=10k, Current mode	90	100	110	mA
		Rprog=2k, Current mode	450	500	550	mA
		Standby mode, Vbat=4.2V	0	-2.5	-6	μA
		Shutdown mode	-	1	2	μA
		Sleep mode, Vcc=0V	-	1	2	μA
Trickle charge current	Itrikl	Vbat<Vtrikl, Rprog=2k	90	100	110	mA
Trickle charge Threshold Voltage	Vtrikl	Rprog=10K, Vbat Rising	2.8	2.9	3.0	V
Trickle voltage hysteresis voltage	Vtrhys	Rprog=10k	60	80	110	mV
Vcc Undervoltage lockout Threshold	Vuv	From Vcc low to high	3.7	3.8	3.93	V
Vcc undervoltage lockout hysteresis	Vuvhys	-	150	200	300	mV
Manual shutdown threshold voltage	Vmsd	PROG pin rising	1.15	1.21	1.30	V
		PROG pin falling	0.9	1.0	1.1	V
Vcc-Vbat Lockout Threshold voltage	Vasd	Vcc from low to high	70	100	140	mV
		Vcc from high to low	5	30	50	mV
C/10 Termination Current Threshold	Iterm/Ic	Rprog=10k	0.085	0.10	0.115	mA/mA
		Rprog=2k	0.085	0.10	0.115	mA/mA
PROG pin Voltage	Vprog	Rprog=10k, Current mode	0.90	1.00	1.10	V
CHRG pin weak pull-down Current	Ichrg	Vchrg=5V	8	20	35	μA
CHRG pin Output low voltage	Vchrg	Ichrg=5mA	-	0.35	0.6	V
Recharge Battery threshold Voltage	ΔVrecg	VFLOAT - VRECHRG	-	100	200	mV

Typical Performance Characteristics

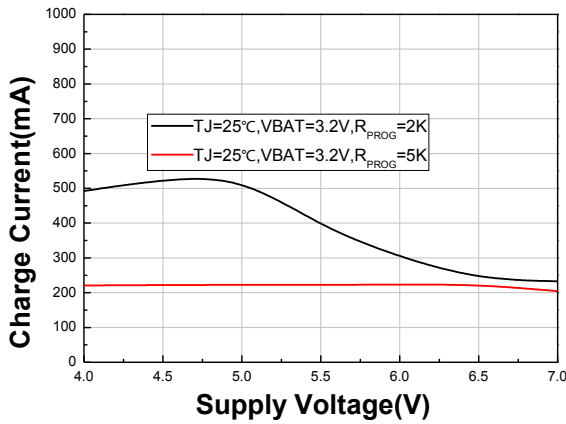
1. Charge Current VS Battery Voltage



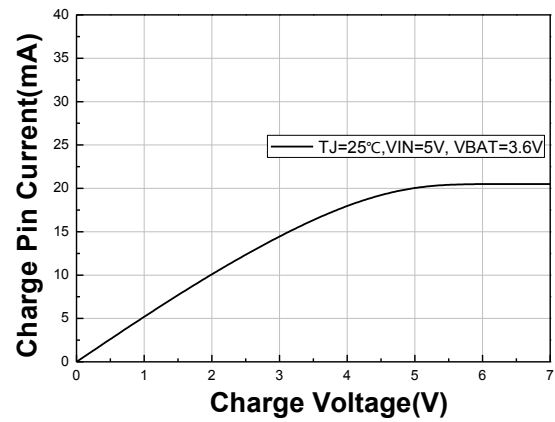
2. Charge Current VS PROG Pin Voltage



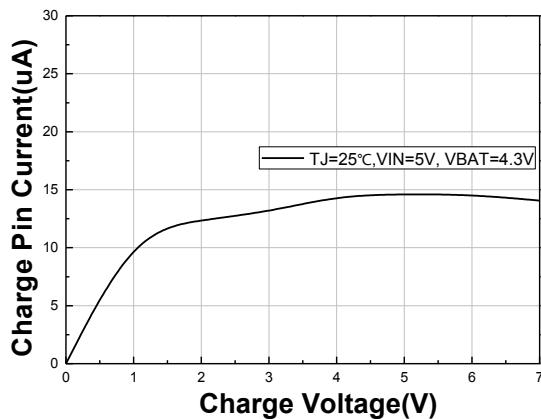
3. Charge Current VS Supply Voltage



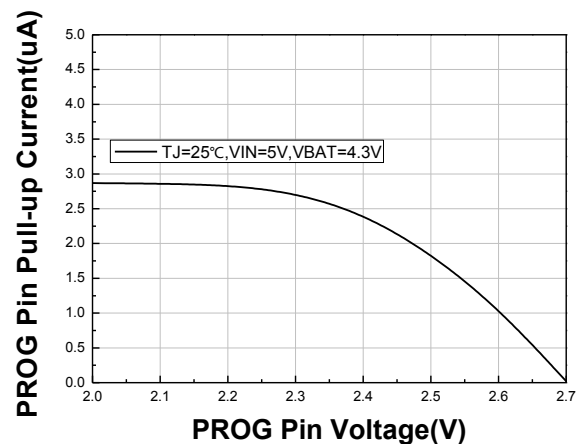
4. PROG Pin Pull-up Current VS PROG Pin Voltage



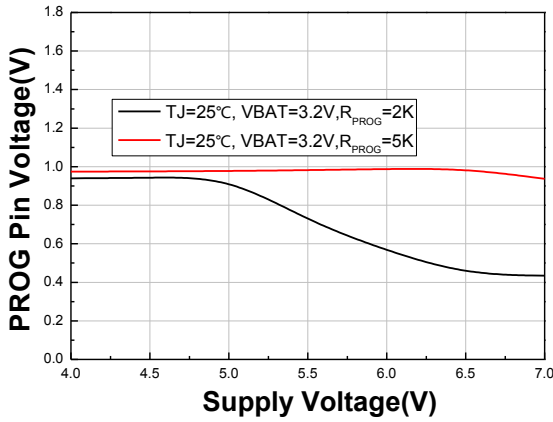
5. Charge Pin Current VS Charge Voltage (Weak Pull-Down State)



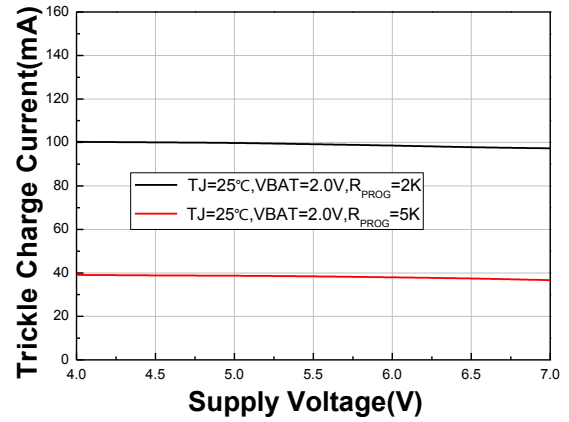
6. Charge Pin Current VS Charge Voltage (Strong Pull-Down State)



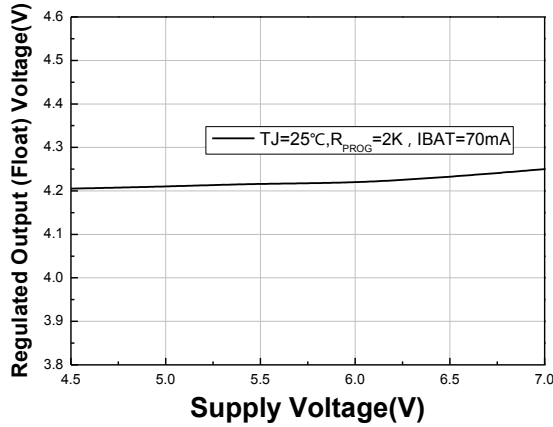
7. PROG Pin Voltage VS Supply Voltage



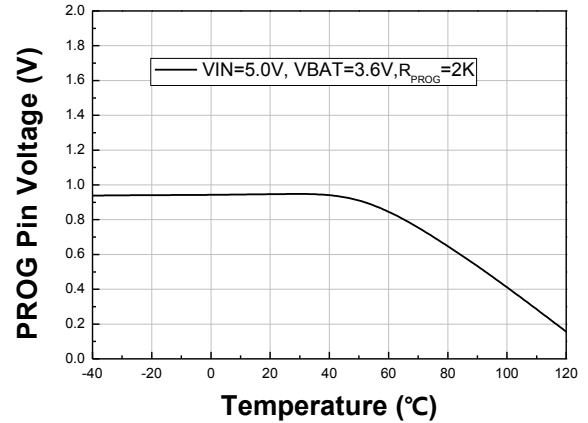
8. Trickle Charge Current VS Supply Voltage



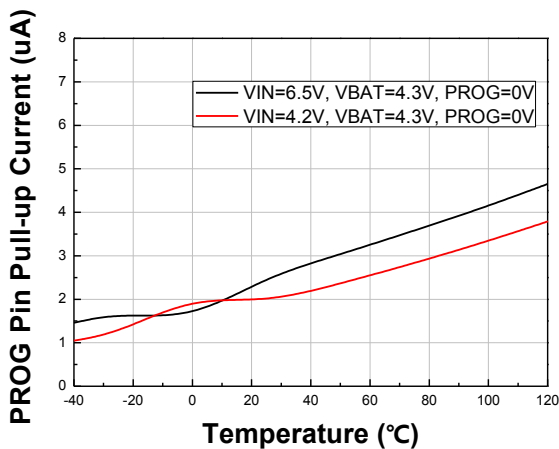
9. Regulated Output (Float) Voltage VS Supply Voltage



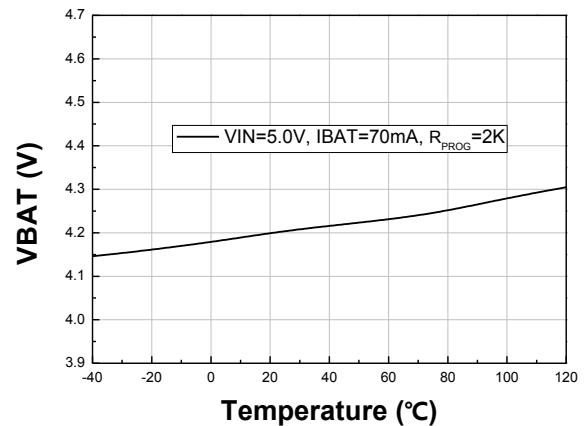
10. PROG Pin Voltage VS Temperature



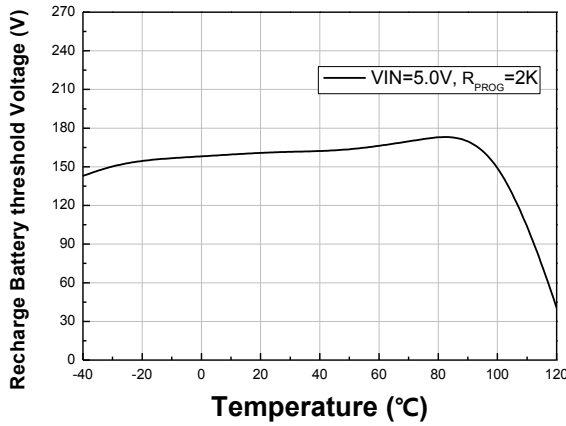
11. PROG Pin Pull-up Current VS Temperature



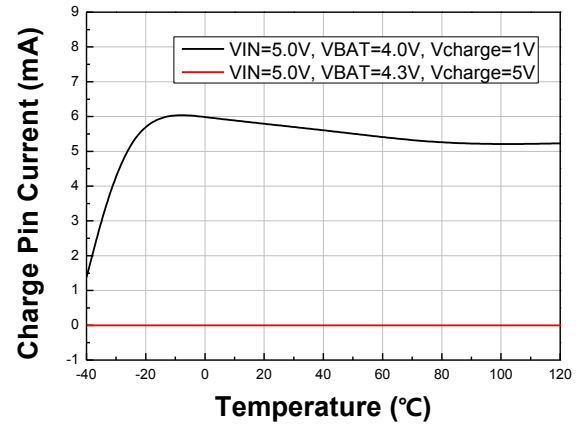
12. VBAT VS Temperature



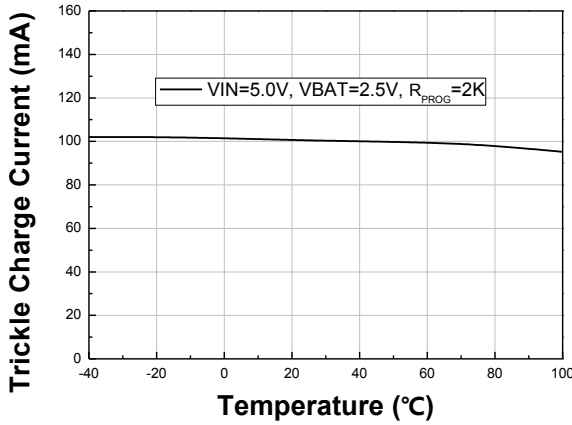
13. Recharge Battery threshold Voltage VS Temperature



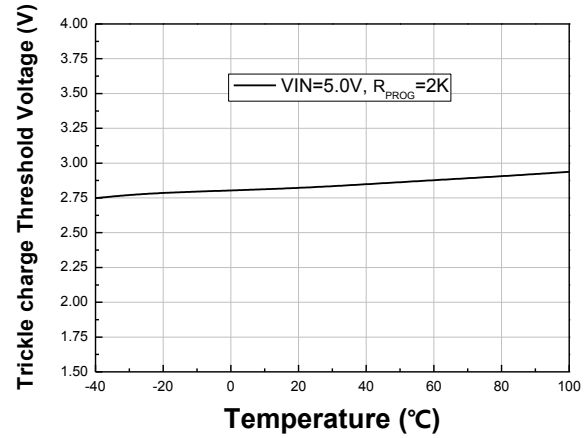
14. Charge Pin Current VS Temperature



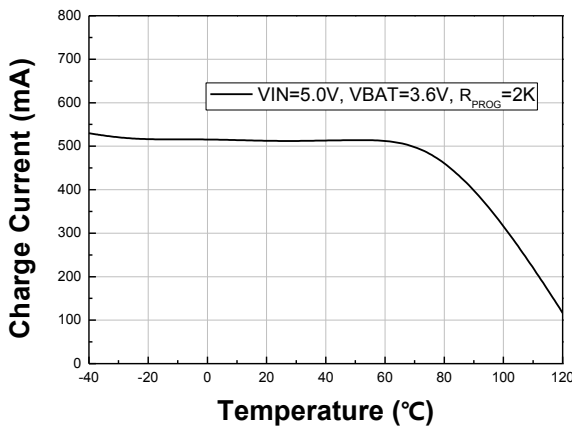
15. Trickle Charge Current VS Temperature



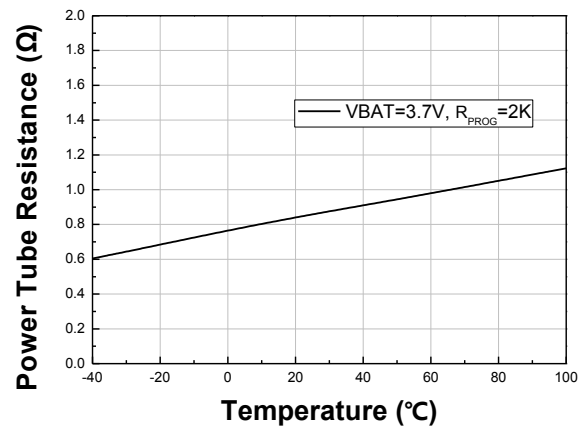
16. Trickle charge Threshold Voltage VS Temperature



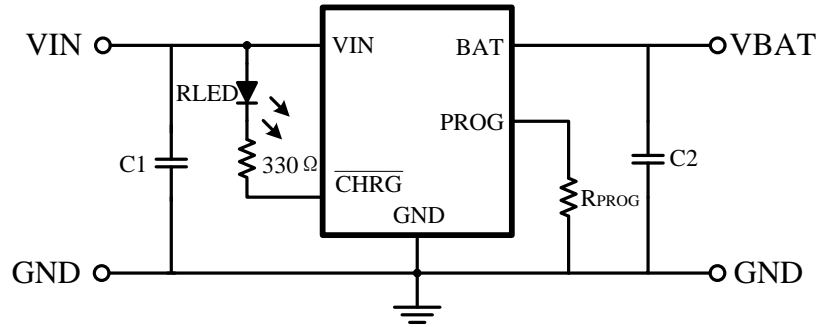
17. Charge Current VS Temperature



18. Power Tube Resistance VS Temperature



■ Application information



● Setting Charging Current

In constant current mode, the formula for calculating charging current is $I_{CH} = 1000 / R_{PROG}$. I_{CH} represents the charging current in amperes; R_{PROG} represents the resistance of the PROG pin to the ground in ohms. For example, if a charge current of 500 mA is required, the following formula can be used: $R_{PROG} = 1000 / 0.5 = 2K\Omega$

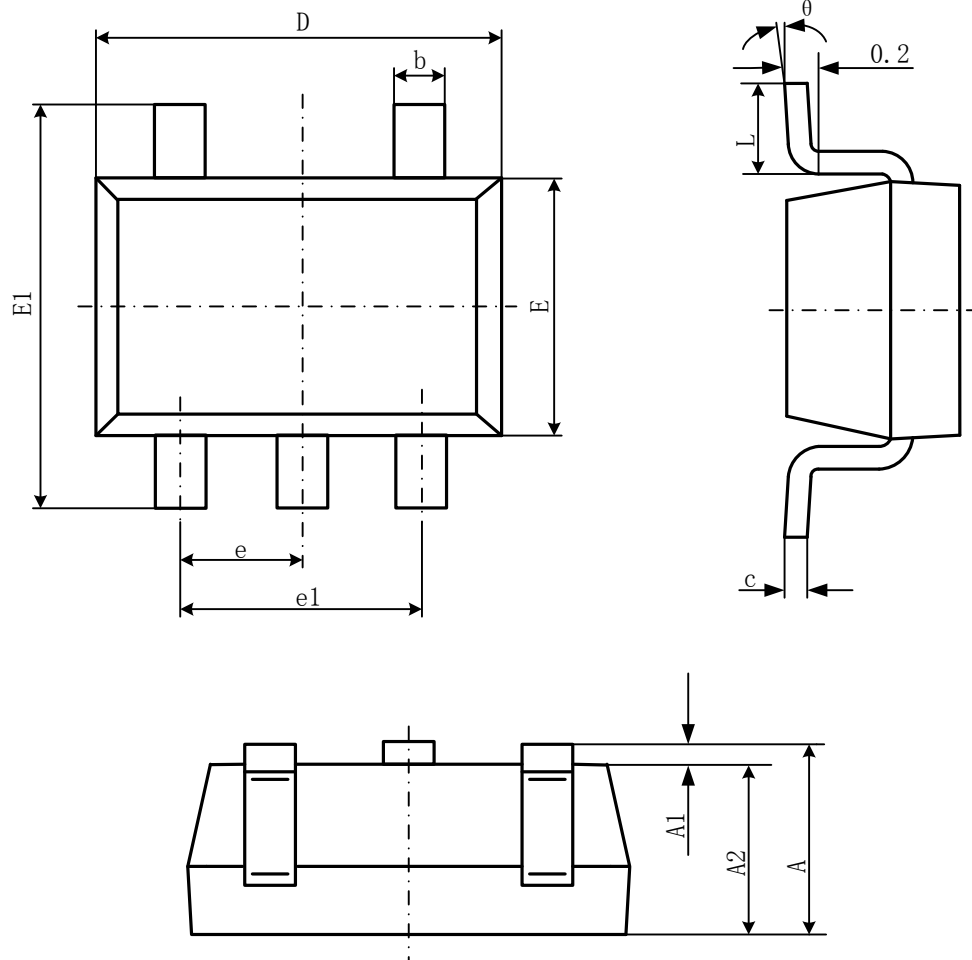
In order to ensure good stability and temperature characteristics, R_{PROG} recommends the use of metal film resistors with accuracy of 1%. Charging current can be detected by measuring the voltage of PROG. Charging current can be calculated by the following formula: $I_{CH} = (V_{PROG} / R_{PROG}) * 1000$

● Setting Charging Current

Suggested capacitance values: $C1 = 4.7\mu F$, $C2 = 10\mu F$, and PCB board requires that the connected capacitor be as close as possible to the chip.

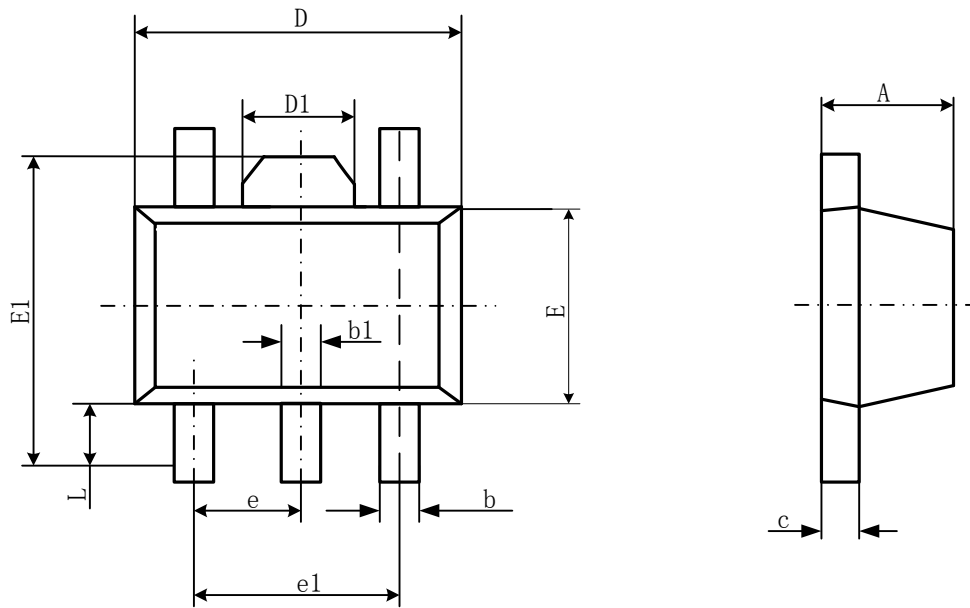
Package Information

- SOT23-5L



Symbol	Dimensions In Millimeters		Dimensions In Inches	
	Min	Max	Min	Max
A	1.050	1.250	0.041	0.049
A1	0.000	0.100	0.000	0.004
A2	1.050	1.150	0.041	0.045
b	0.300	0.500	0.012	0.020
c	0.100	0.200	0.004	0.008
D	2.820	3.020	0.111	0.119
E	1.500	1.700	0.059	0.067
E1	2.650	2.950	0.104	0.116
e	0.950(BSC)		0.037(BSC)	
e1	1.800	2.000	0.071	0.079
L	0.300	0.600	0.012	0.024
θ	0°	8°	0°	8°

● SOT89-5L



Symbol	Dimensions In Millimeters		Dimensions In Inches	
	Min	Max	Min	Max
A	1.400	1.600	0.055	0.063
b	0.320	0.520	0.013	0.020
b1	0.360	0.560	0.014	0.022
c	0.350	0.400	0.014	0.017
D	4.400	4.600	0.173	0.181
D1	1.400	1.800	0.055	0.071
E	2.300	2.600	0.091	0.102
E1	3.940	4.250	0.155	0.167
e	1.500TYP		0.060TYP	
e1	2.900	3.100	0.114	0.122
L	0.900	1.100	0.035	0.043